



PE250x1000 PE250x1200 Jaw Stone Crusher Machine

Our Product Introduction

for more products please visit us on mining-crushermachine.com

Basic Information

- Place of Origin: China
- Brand Name: Ascend
- Certification: ISO9001
- Model Number: PE200x300 PE220x350 PE250x400 PE400x600
- Minimum Order Quantity: 1 set
- Price: USD 1800-4800
- Packaging Details: Wooden box or put in container
- Delivery Time: 7-10 working days
- Payment Terms: T/T, Western Union, MoneyGram, L/C
- Supply Ability: 50 Sets per month



Product Specification

- Name: Jaw Crusher
- Color: Optional
- Material: High Manganese Mn13Cr2
- Function: Stone Crushing
- Type: Jaw Crusher, fixed Or Portable
- Condition: New
- Warranty: 1 Year
- After-sales Service Provided: Engineers Available To Service Machinery Overseas
- Capacity(t/h): 70-130
- Application: Mining, stone
- Highlight: **PE250x1200 Jaw Stone Crusher Machine, PE250x1000 jaw crusher equipment**



More Images



Product Description

Marble Jaw Crusher PE 250x1000 250x1200 fine Jaw Crusher With Large Capacity

Introduction of Stone Jaw Crusher

Jaw stone Crusher is widely used for crushing stone, mineral ore, rock, glass, metal, ore, such as limestone, granite, dolomite, marble stone. in the industry of mining, construction, railway, water conservancy and chemical. Usually, in a whole production line, Ore Crusher Equipment is used for first crushing.

Jaw crusher is a traditional product absorbing world advanced technology, bases on our present traditional jaw crusher, and adopts three-dimensional design theory. Comparing with traditional jaw crusher, it has larger capacity and crushing ratio, bigger range of input size, evener product size, and easier maintenance.



Features of Stone Jaw Crusher

1. High crushing ratio, well-distributed final product size.
2. Discharge opening of the jaw crusher is adjustable reliably within a wide range through the stuffing of shim, thus it is capable to meet various requirements of customers.
3. Lubrication system of it is safe and reliable, which boasts an easy and convenient maintenance.
4. Simple structure, reliable performance, low maintenance cost.



Working Principle of Stone Jaw Crusher

The motor drives the belt wheel, and makes movable jaw up and down by eccentric shaft. When the movable jaw rises, the angle between the fixed jaw and movable jaw gets larger, and the materials can be crushed to reach the crushing target. When the movable jaw is down, the angle between the fixed jaw and movable jaw becomes smaller. The movable jaw plate leaves the fixed jaw plate under the function of drawbar and spring, and then the crushed materials are discharged from the lower outlet of the crushing cavity.

Technical parameters:

--

Model	Max Input size (mm)	Outlet size (mm)	Capacity (t/h)	Power (kW)	Overall dimension L×W×H(mm)	Weight (t)
PE400×600	340	40-80	20-65	30-37	2500×1750×1950	8.5
PE500×750	425	45-150	45-107	45-55	3100×1980×2290	11.5
PE600×900	510	75-180	100-200	55-75	3450×2360×2780	17
PE750×1100	640	80-190	140-320	90-110	3750×2580×3180	24
PE860×1100	730	100-200	200-500	110-132	4870×2850×3170	32
PE900×1200	760	100-220	220-600	110-132	3500×2850×3290	48
PE1000×1200	850	150-300	280-750	132-160	4700×2930×3460	52
PE1200×1500	1020	180-340	350-950	160-220	6380×5310×3710	83
PE1500×1800	1250	210-360	500-1100	280	7460×6240×4250	122
PE250×1000	210	25-50	20-50	30-37	1680×2050×1370	7
PE250×1200	210	25-50	25-65	37-45	1680×2180×1370	8
PE300×1300	250	20-90	30-105	55-75	2150×2390×1590	11

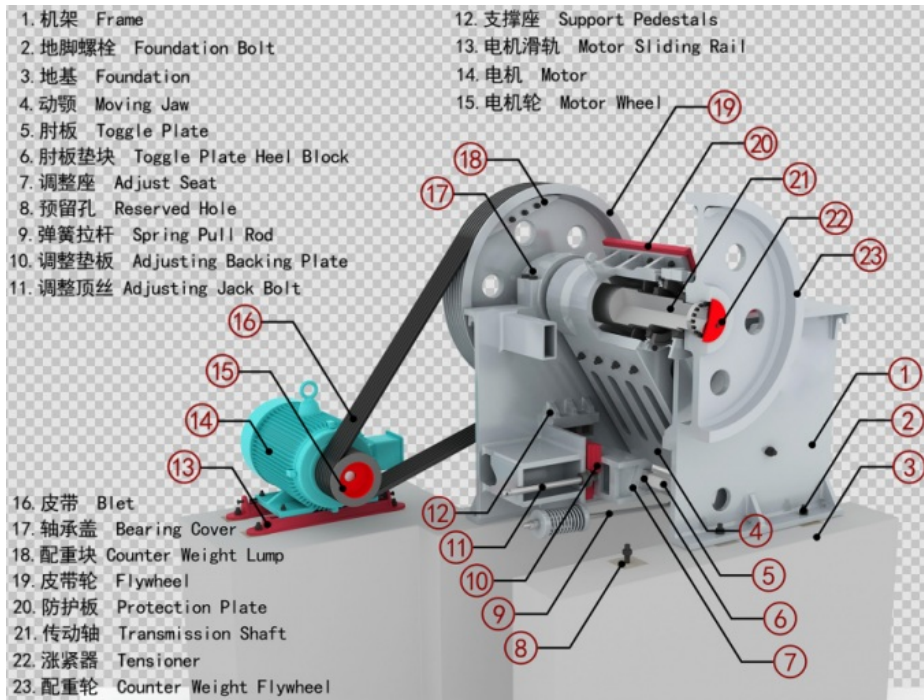
Jaw crusher advantages

- 1.Simple structure ensures the crushing machine is not easy to break down.
- 2.Easy operation, which makes the crusher can be operated by common people.
- 3.High crushing ratio. Large stone lump can be quickly crushed into small particles.
- 4.Energy saving. The jaw crusher power amount is consumed less than other type of crushers.
- 5.Low cost, economically affordable.



Jaw crusher overview

Jaw crusher is one of the most common crushing equipment, mainly composed of moving jaw and static jaw. It is a crusher that simulates the two jaw movement of animals and completes the crushing operation of ores. Jaw crusher can be divided into two series according to different crushing method: PE series and PEX series. PE series jaw crusher is usually used for coarse crushing, PEX series jaw crusher is usually used for intermediate and fine crushing.



Product pictures



Jaw crusher specifications

Model	Feeding mouth size (mm)	Max Feeding size (mm)	Adjusting range of output size (mm)	Capacity (t/h)	rotation speed (r/min)	Power (kw)	Weight (t)	Dimension (L×W×H) (mm)
PE-150×250	150×250	125	10-40	1-3	260	5.5	0.7	1000×870×990
PE-200×300	200×300	180	15-50	2-6	260	7.5	1	1050×920×990
PE-220×350	220×350	200	18-55	4-10	260	11	1.3	1100×970×990
PE-250×400	250×400	210	20-60	5-20	300	15	2.8	1300×1090×1270
PE-400×600	400×600	340	40-100	16-60	275	30	7	1730×1730×1630
PE-500×750	500×750	425	50-100	40-110	275	55	12	1980×2080×1870

PE-600×900	600×900	500	65-160	50-180	250	55	17	2190×2206×2300
PE-750×1060	750×1060	630	80-140	110-320	250	110	31	2660×2430×2800
PE-900×1060	900×1060	685	230-290	230-390	250	110	33	2870×2420×2940
PE-900×1200	900×1200	750	95-165	220-450	200	110	52	3380×2870×3330
PE-								
PEX-150×750	150×750	120	18-48	8-25	320	15	3.8	1200×1530×1060
PEX-250×750	250×750	210	25-60	13-35	330	30	5.5	1380×1750×1540
PEX-250×1000	250×1000	210	25-60	16-52	330	30	7	1560×1950×1390
PEX-250×1200	250×1200	210	25-60	20-61	330	37	9.7	2140×1660×1500
PEX-300×1300	300×1300	250	20-90	16-105	300	55	15.6	2720×1950×1600

Crusher Working site



Sand Production Line



Stone Production Line



Jaw crusher price

In order to select suitable jaw crusher model, we would like to know the following answers for these questions

1. What is the raw material you want to crush?
2. What is the input and output size of the material?
3. What is the capacity you need?

The Jaw crusher price depends on different crusher models. As the professional mining crusher manufacturer in China, we will provide maximum preferential price and discount for you. Welcome to visit our company and factory.

ASCEND Henan Ascend Machinery Equipment Co., Ltd.

+86 18221130967

wilson_ascendme@163.com

mining-crushermachine.com

Shenglong block, high tech zone, Zhengzhou, China