



150-200tph Capacity Coal Marble Mobile Jaw Crusher With Vibrating Feeder Large Scale Mining Machinery

Our Product Introduction

for more products please visit us on mining-crushermachine.com

Basic Information

- Place of Origin: China
- Brand Name: ASCEND
- Certification: CE
- Model Number: PE200x300 PE220x350 PE250x400 PE400x600
- Minimum Order Quantity: 1 Set
- Price: USD 4800-38000 Per set
- Packaging Details: Water and rust proof in wooden box or container
- Delivery Time: 10 working days
- Payment Terms: T/T, Western Union
- Supply Ability: 10 set per month



Product Specification

- Name: Mobile Jaw Crusher Plant
- Warranty: One Year
- Spare Parts Supply: Will Supply Any Time
- After-sales Service Provided: Field Installation
- Capacity: 10-20 TPH
- Color: Customized
- Highlight: **Vibrating Feeder Jaw Crusher, Large Scale Mining Jaw Crusher, Vibrating Feeder Mobile Jaw Crusher**



More Images



Product Description

150-200tph Capacity Coal Marble Mobile Jaw Crusher With Vibrating Feeder Large Scale Mining Machinery

Product Description

The wheel-type mobile crusher is a kind of crushing equipment with high efficiency when moving. It adopts a self-driven mode, advanced technology, and complete functions. It has excellent station mobility and adaptability to the work site. It does not require preliminary preparations before installing the fixed crushing plant. It can complete the station adjustment quickly and enter the working state anytime.



Diesel mobile jaw crusher is widely used for crushing various materials like stone, granite, trap rock, coke, coal, manganese ore, iron ore, emery, fused aluminum, oxide, fused calcium carbide, lime stone, quartzite, alloys, etc. The application of tires makes the machine more convenient to move and adapt to various application, especially when your place lack of electricity or you need to move machines frequently.

Detailed Images



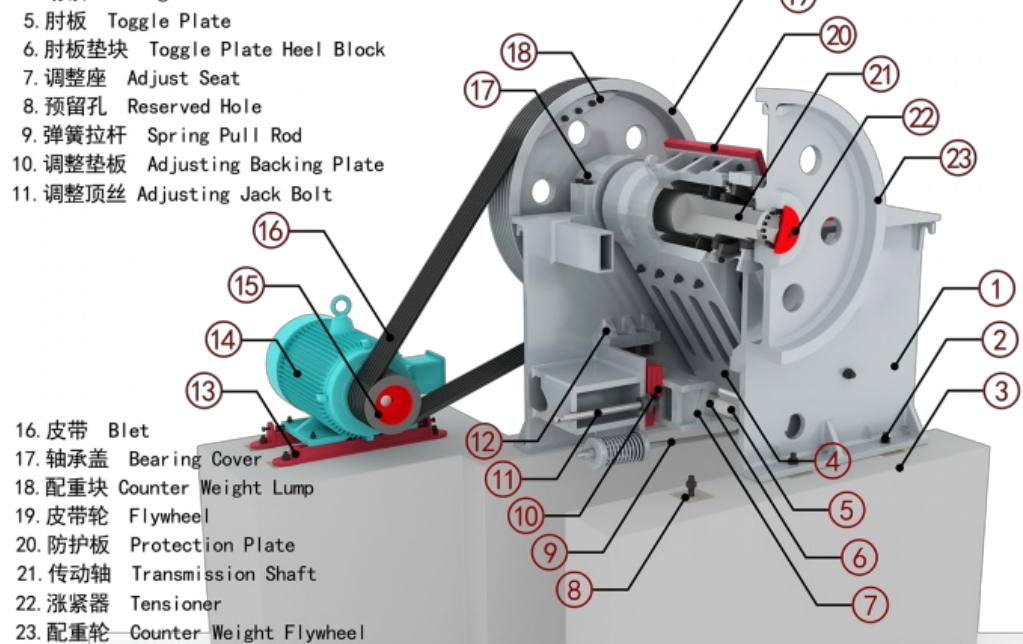
Spare Parts

Working Principle

According to the requirements of different crushing processes, it can be divided into "first crushing and then screening" or "first screening and then crushing" process. It can also be combined into coarse, medium and fine screening systems according to actual needs.

1. 机架 Frame
2. 地脚螺栓 Foundation Bolt
3. 地基 Foundation
4. 动颚 Moving Jaw
5. 肘板 Toggle Plate
6. 肘板垫块 Toggle Plate Heel Block
7. 调整座 Adjust Seat
8. 预留孔 Reserved Hole
9. 弹簧拉杆 Spring Pull Rod
10. 调整垫板 Adjusting Backing Plate
11. 调整顶丝 Adjusting Jack Bolt

12. 支撑座 Support Pedestals
13. 电机滑轨 Motor Sliding Rail
14. 电机 Motor
15. 电机轮 Motor Wheel



16. 皮带 Belt
17. 轴承盖 Bearing Cover
18. 配重块 Counter Weight Lump
19. 皮带轮 Flywheel
20. 防护板 Protection Plate
21. 传动轴 Transmission Shaft
22. 涨紧器 Tensioner
23. 配重轮 Counter Weight Flywheel

Specifications

Model	Feed opening size(mm)	Max feeding size(mm)	Discharge range(mm)	Capacity (t/h)	Power (kw)	Weight (t)
PE150x250	150x250	125	10-40	1-3	5.5	0.7
PE250x400	250x400	210	20-60	10-20	15	2.8
PE400x600	400x600	340	40-100	30-50	30	7
PE500x750	500x750	425	50-180	35-80	55	12
PE600x900	600x900	500	50-180	80-150	75	17
PE750x1060	750x1060	630	80-140	110-320	90	31
PE900x1200	900x1200	750	95-165	220-350	160	52
PE1200x1500	1200x1500	1020	150-350	400-800	220	100
PE150x750	150x750	120	18-48	10-25	15	3.8
PE250x750	250x750	210	15-60	15-35	30	6.5
PE250x1000	250x1000	210	15-60	16-52	37	7
PE250x1200	250x1200	210	15-60	20-60	45	9.7

Working Sites

Packing&Delivery



Company Profile

Henan Ascend Machinery & Equipment Co., Ltd. was established in 2005 and it is located in the high-tech zone of Zhengzhou City, Henan Province. As a technology driven mining equipment company, it is committed to the R&D, production, sales and after-sales service of mining machinery and equipment.

The company's main products are crushers, grinding mill equipment, mineral beneficiation equipment, rotary dryer and crusher & grinding mill spare parts. In addition to the Chinese domestic market, Ascend machinery expands its business in more than 160 countries and regions.

Our Workshop

FAQ

Q1. Are you factory or trading company?

We are factory specialized in manufacturing stone crushers, grinding mills, beneficiation equipments and other mining equipments. Our office and factories are based in Zhengzhou, China. Because we are factory, so we can guarantee the machine quality and we can give you very competitive factory price without extra agent cost.

Q2. To which country your products have been exported before?

In Africa, We have exported to Sudan, Kenya, Zambia, Ethiopia, Zimbabwe, Guinea, Nigeria and so on. We also exported South Africa, Chile, Peru, Ecuador, New Zealand, America, Austrilia more than 160 countries. Our equipment and service have won very high reputation in these countries.

Q3.What about the payment method?

T/T, Paypal, Western Union, L/C is available.

Q4. How about the wear parts supply?

We offer wear parts to our customer with our most favorable price. If there are problems you could not handle, we will send our technicians to your place.

Q5.What about after-sale service?

12 months warranty for all kinds of products; and you will get our 7*24h online service.

Q6. How will you help the customer install the equipment?

We will send our senior engineer to your place to guide the installation and commissioning.

Related Products

[Granite Barite Gypsum Horizontal](#)

[Mining Rock Coal Hammer Mill](#)

[Gravel Rock Granite](#)

[Shaft Impact Crusher Mining And](#)

[Crusher Machine Electric Motor](#)

[Spring Symons Roller](#)

[Building](#)

[Cone Crusher](#)

[Ore Rock Grinding Mill Machine](#)


[Grinding Gold Wet Pan Mill](#)


[Grinding Ball Mill Crusher](#)

Contact Us

ASCEND Henan Ascend Machinery Equipment Co., Ltd.

 +86 18221130967

 wilson_ascendme@163.com

 mining-crushermachine.com

Shenglong block, high tech zone, Zhengzhou, China