



## Two roller crusher for sand making road building gold mining materials crushing

Our Product Introduction

for more products please visit us on [mining-crushermachine.com](http://mining-crushermachine.com)

### Basic Information

- Place of Origin: China
- Brand Name: Ascend
- Certification: ISO9001
- Model Number: 2PG400x250 2PG610x400 2PG750x500 2PG900x500
- Minimum Order Quantity: 1set
- Price: 2999USD-3999USD
- Packaging Details: depend on different models
- Delivery Time: 7-10 work days
- Payment Terms: L/C, T/T, Western Union



### Product Specification

- Roller Material: High Manganese Mn13Cr2
- Application: Crushing Stone
- Warranty: 12 Months
- Spare Parts Supply: Anytime
- Key Words: Double Roll Crusher
- Discharging Size: ≤3 Mm
- After Sales Service: Engineer Site Guidance
- Feeding Size: ≤25 Mm
- Highlight: **Gold Mining Materials Crusher, Two roller crusher, Sand Making Road Building Crusher**



### More Images



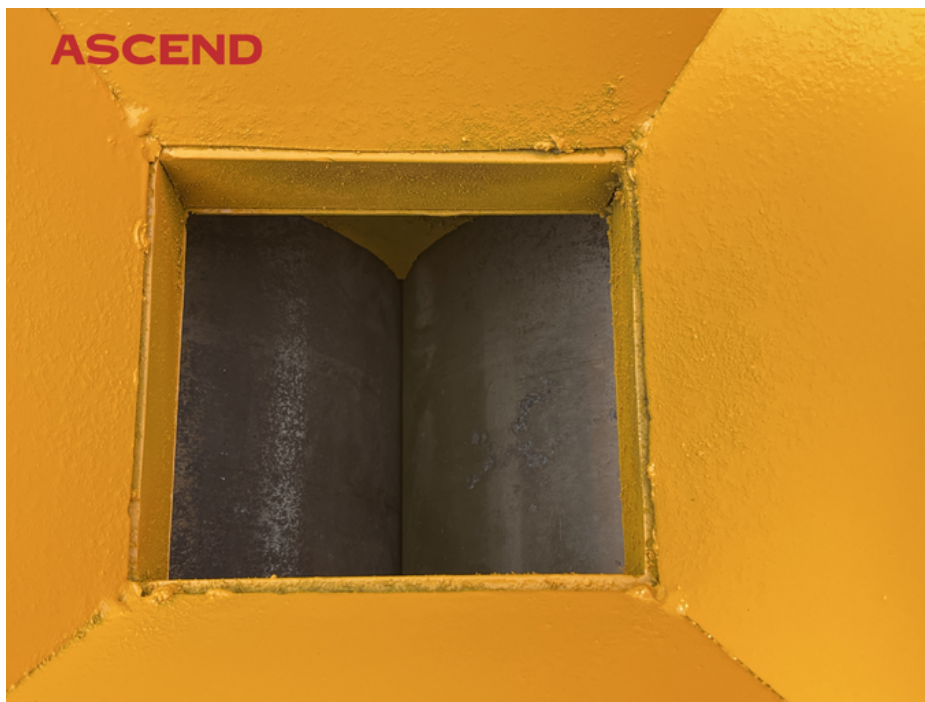
## Product Description

### Two roller crusher for sand making road building gold mining materials crushing

Henan Ascend machinery is the leading enterprise who is professional manufacture of double roller coal crusher, double teeth coal crusher, roller coal crusher etc. for more than 30 years. Our double teeth roller coal crusher is with new design (chain&v-belt driven). With its simple structure, the tooth shape, size and arrangement of roller surface can be adjustable according to the property of different materials. It can be applied in industrial area such as ore dressing, chemical industry, cement, refractory, abrasive and building materials to break to different ores and rocks into small aggregates or powder as request.

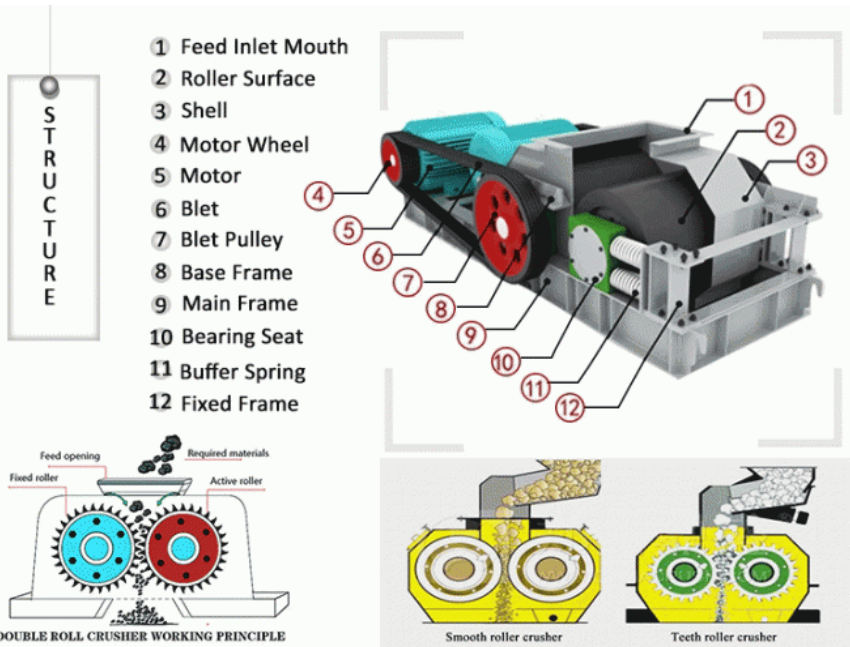






### Working Principle

There are two cylindrical rollers horizontally installing on mutually parallel racks, where one of the roller bearing is movable and the other roller bearing is fixed. Driven by electric motor, the two rollers do opposite rotation, which produces downward acting force to crush materials between two crushing rollers; broken materials that are in line with the required size are pushed out by roller and discharged from the discharging port.



### Specification

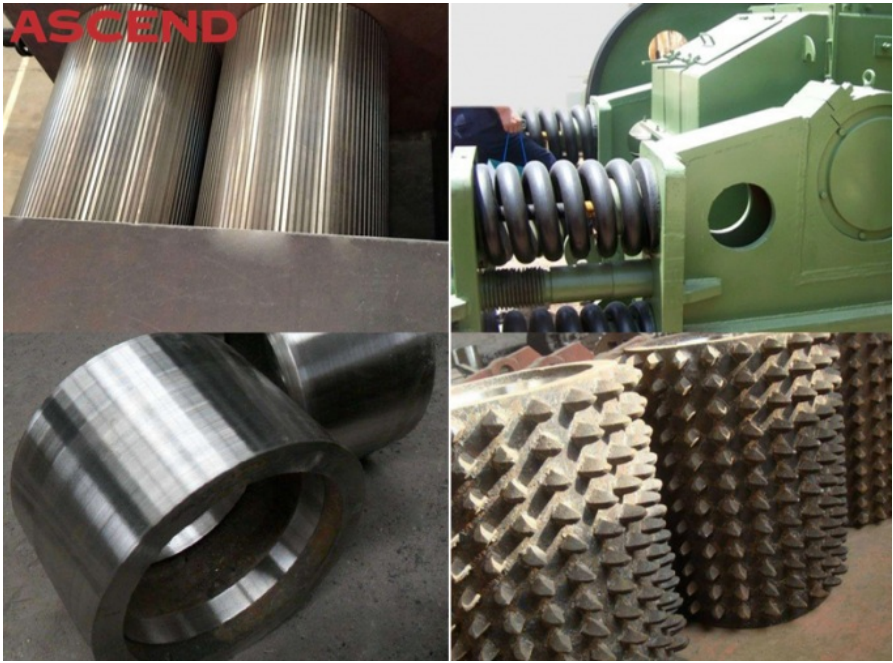
Model	Feeding size(mm )	Discharging granularity (mm)	Output (t/h)	Motor Power (t/h)	Dimensions(L×W×H) (mm)	Weight (kg)
2PG-400*250	≤25	2-8	5-10	11	1215×834×830	1100
2PG-610*400	≤40	1-20	13-40	30	3700×1600×1100	3500
2PG-750*500	≤40	2-20	15-40	37	2530×3265×1316	12250
2PG-900*500	≤40	2-40	20-50	44	2750×1790×2065	14000
2PG-600*900	≤40	5-40	30-60	37	2850×1880×2050	8400
2PG-800*1000	≤40	5-40	50-100	44	3800×1800×1300	12600
2PG-800*1200	≤40	5-40	60-120	60	3800×2100×1300	15200

### Applications of Double Roller crushers



spare parts





Packing & Delivery





## company profile

Henan Ascend Machinery & Equipment Co., Ltd. was established in 2005 and it is located in the high-tech zone of Zhengzhou City, Henan Province. As a technology driven mining equipment company, it is committed to the R&D, production, sales and after-sales service of mining machinery and equipment. The company's main products are crushers, grinding mill equipment, mineral beneficiation equipment, rotary dryer and crusher & grinding mill spare parts. In addition to the Chinese domestic market, Ascend machinery expands its business in more than 160 countries and regions.



**ASCEND** Henan Ascend Machinery Equipment Co., Ltd.

+86 18221130967

wilson\_ascendme@163.com

mining-crushermachine.com

Shenglong block, high tech zone, Zhengzhou, China