



## Customizable Hammer Mill Crusher with Adjustable Grate Strip Gap and 1 Period

Our Product Introduction

more products please visit us on [mining-crushermachine.com](http://mining-crushermachine.com)

### Basic Information

- Place of Origin: Zhengzhou, China
- Brand Name: Ascend
- Certification: ISO9001, CE
- Model Number: PC400x300 PC600x400 PC800x600 PC1000x800
- Minimum Order Quantity: 1 set
- Price: negotiable
- Packaging Details: 1. Standard parts packed in the wooden cases. 2. Big parts packed by plastic membrane. 3. The whole machine is loaded in the container.
- Delivery Time: 7-10 working days
- Payment Terms: L/C, T/T, Western Union, MoneyGram
- Supply Ability: 100 sets per month



### Product Specification

- Core Selling Point: Easy To Operate
- Adjustability: Can Adjust The Grate Strip Gap According To User Requirements And Change The Material Particle Size
- Working Principle: The Motor Drives The Rotor To Rotate At A High Speed Through The Belt, And On The Rotor There Are Series Of Hammers. When The Material Get Into The Working Area Of Hammers, The Rotating Hammers With High Rotation Speed Are Crushing The Material, The Crushe
- Machines Classification: Stone Crashing Machine
- Material: Limestone, Coke, Coal, Etc.
- Contact Information: Available
- Warranty Period: 1 Year

**Product Description:**

The PC400x300 small capacity 3-8tph output size 0-1mm gravel limestone coal hammer crusher for Kenya Zimbabwe Dr Congo market is specifically designed to crush and pulverize materials efficiently. It is a crushing mill pulverizer machine that is ideal for small capacity applications. With a capacity of 3-8tph, it is perfect for use in small-scale mining operations or in laboratories. This hammer mill crusher is capable of grinding different materials such as limestone, coal, and gravel. It is a pulverizing machine mill crusher that can crush materials into fine particles. The output size of this crusher is 0-1mm, making it perfect for grinding and pulverizing various materials for further processing. Whether you are working with dry or wet materials, this hammer mill crusher can handle them all. Its unique design allows it to grind under both dry and wet conditions, making it a versatile machine that can be used in various industries. Overall, the PC400x300 small capacity 3-8tph output size 0-1mm gravel limestone coal hammer crusher for Kenya Zimbabwe Dr Congo market is an efficient and reliable machine that can crush and pulverize various materials. Its grinding capabilities make it a must-have for small-scale mining operations or laboratories. It is a crushing mill pulverizer machine that is perfect for grinding materials into fine particles for further processing.

**Features:**

- Product Name: Hammer Mill Crusher
- Advantages: Simple structure, high grinding rate, high production efficiency
- Working Principle: The motor drives the rotor to rotate at a high speed through the belt, and on the rotor there are series of hammers. When the material get into the working area of hammers, the rotating hammers with high rotation speed are crushing the material, the crushed product meeting the required size can be discharged by the outlet and become the final products, the large size product are brought back to the crushing area by the hammers for being re-crushed until they reached the required size.
- Grinding Conditions: Can grind under dry and wet conditions
- Product Category: Hammer Mill Crusher, Crusher Pulverizing Mill, Pulverizing Machine Mill Crusher, Pulverizing Machine Mill Crusher
- Adjustability: Can adjust the grate strip gap according to user requirements and change the material particle size

**Technical Parameters:**

Machine Classification	Stone Crashing Machine
Output Size	0-1mm
Target Market	Kenya, Zimbabwe, Dr Congo
Product Category	Hammer Mill Crusher
Working Principle	The motor drives the rotor to rotate at a high speed through the belt, and on the rotor there are series of hammers. When the material get into the working area of hammers, the rotating hammers with high rotation speed are crushing the material, the crushed product meeting the required size can be discharged by the outlet and become the final products, the large size product are brought back to the crushing area by the hammers for being re-crushed until they reached the required size.
Grinding Conditions	Can grind under dry and wet conditions

Appl icab le Indu stry	Energy&Mining
Adju stab ility	Can adjust the grate strip gap according to user requirements and change the material particle size
Con tact Infor mati on	Available
War rant y Peri od	1 Year

Keywords: Grinding Hammer Mill Crusher, Hammer Crushing Pulverizing Mill, Grinder Crusher Pulverizer

## Applications:

Ascend Hammer Mill Crusher is a highly efficient pulverizing machine that is used for crushing materials into fine particles. It is widely used in the mining, cement, coal, metallurgy, building materials, highway, and other industries.

The Grinding Hammer Mill Crusher is available in different models such as PC400x300, PC600x400, PC800x600, and PC1000x800.

These machines have a simple structure, high grinding rate, and high production efficiency. They are certified by ISO9001 and CE and are manufactured in Zhengzhou, China.

The Crushing Mill Pulverizer Machine can be used to crush various materials such as gravel, limestone, and coal. The final products are fine particles that can be used in various applications. The Hammer Mill Crusher is a stone crushing machine and is classified under the category of pulverizing machines.

The Hammer Mill Crusher is suitable for use in various occasions and scenarios. It can be used in the mining industry to crush minerals such as coal and limestone. It can also be used in the cement industry to crush materials such as clinker. The Hammer Mill Crusher can be used in the construction industry to crush materials such as gravel and concrete.

The Hammer Mill Crusher is available in different packaging details. Standard parts are packed in wooden cases, big parts are packed by plastic membrane, and the whole machine is loaded in the container. Spare parts are also available in case of any replacements.

The Hammer Mill Crusher has a minimum order quantity of 1 set and is available at a negotiable price. The payment terms include L/C, T/T, Western Union, and MoneyGram. The supply ability of the Hammer Mill Crusher is 100 sets per month, and the delivery time is 7-10 working days.

## Support and Services:

### Packing and Shipping:

Product Packaging:

1 Hammer Mill Crusher

User manual

Spare parts kit

Shipping:

Shipping weight: 500 kg

Shipping dimensions: 120 cm x 120 cm x 150 cm

Shipping carrier: UPS, FedEx, or DHL

Shipping time: 5-7 business days

Shipping cost: calculated at checkout

### FAQ:

Here are some frequently asked questions about Ascend's Hammer Mill Crusher:

**Q: What is the brand name of this hammer mill crusher?**

A: The brand name of this hammer mill crusher is Ascend.

**Q: What are the different models available for this product?**

A: The available models are PC400x300, PC600x400, PC800x600, and PC1000x800.

**Q: Is this product certified?**

A: Yes, this product is certified with ISO9001 and CE.

**Q: Where is this product made?**

A: This product is made in Zhengzhou, China.

**Q: What is the minimum order quantity for this product?**

A: The minimum order quantity for this product is 1 set.

**Q: Is the price for this product negotiable?**

A: Yes, the price for this product is negotiable.

**Q: What are the payment terms for this product?**

A: The payment terms for this product are L/C, T/T, Western Union, and MoneyGram.

**Q: What is the supply ability for this product?**

A: The supply ability for this product is 100 sets per month.

**Q: How long does it take to deliver this product?**

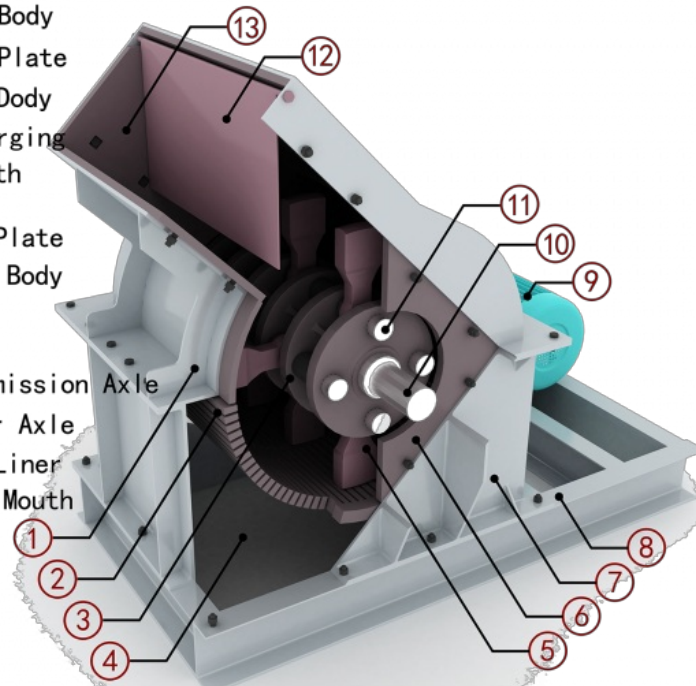
A: The delivery time for this product is 7-10 working days.

**Q: What are the packaging details for this product?**

A: The packaging details for this product are as follows: 1. Standard parts packed in the wooden cases. 2. Big parts packed by plastic membrane. 3. The whole machine is loaded in the container.



1. 上机体 Upper Body
2. 篦条板 Grate Plate
3. 锤盘 Middle Dody
4. 出料口 Discharging Mouth
5. 锤头 Hammer
6. 侧衬板 Side Plate
7. 下机体 Lower Body
8. 支座 Stand
9. 电机 Motor
10. 传动轴 Transmission Axle
11. 锤头轴 Hammer Axle
12. 入料口挡板 Liner at Feeding Mouth
13. 衬板 Liner



Model	Input size(mm)	Output size(mm)	Capacity(t/h)	Power(kw)	Weight(kg)
PC400×300	≤100	≤10	5-10	11	800
PC600×400	≤120	≤15	10-25	18.5	1500
PC800×600	≤120	≤15	20-35	55	3100
PC1000×800	≤200	≤13	20-40	115	7900
PC1000×1000	≤200	≤15	30-80	132	8650
PCX1300×1200	≤250	≤19	80-200	240	13600



Contact: Wilson

Mobile(WhatsApp/Wechat): +86-18221130967

Email: wilson\_ascendme@163.com



Wechat



WhatsApp



**ASCEND** Henan Ascend Machinery Equipment Co., Ltd.

+86 18221130967

wilson\_ascendme@163.com

mining-crushermachine.com

Shenglong block, high tech zone, Zhengzhou, China