



Energy Mining Pulverizing Hammer Mill Adjustable Grate Strip Gap for Material Crushing

Our Product Introduction

more products please visit us on mining-crushermachine.com

Basic Information

- Place of Origin: Zhengzhou, China
- Brand Name: Ascend
- Certification: ISO9001, CE
- Model Number: PC400x300 PC600x400 PC800x600
PC1000x800
- Minimum Order Quantity: 1 set
- Price: negotiable
- Packaging Details: 1. Standard parts packed in the wooden cases. 2. Big parts packed by plastic membrane. 3. The whole machine is loaded in the container.
- Delivery Time: 7-10 working days
- Payment Terms: L/C, T/T, Western Union, MoneyGram
- Supply Ability: 100 sets per month



Product Specification

- Applicable Industry: Energy&Mining
- Output Size: 0-1mm
- Product Category: Hammer Mill Crusher
- Contact Information: Available
- Spare Parts Availability: Available
- Machines Classification: Stone Crashing Machine
- Final Products: Gravel, Limestone, Coal
- Grinding Conditions: Can Grind Under Dry And Wet Conditions
- Highlight: **Material Crushing Hammer Mill,
Adjustable Grate Strip Hammer Mill,
Energy Mining Hammer Mill**

Product Description:

The Crushing Mill Pulverizer Machine is designed to be durable and long-lasting, ensuring that it can withstand the demands of heavy use in the industry. It is classified as a stone crushing machine, which means that it is capable of crushing large materials into smaller particles for further processing.

The Hammer Mill Crusher is an essential machine in the energy and mining industry, as it is used to crush and pulverize materials for use in a variety of applications. It is a versatile machine that can be used to process a wide range of materials, from soft to medium-hard, making it ideal for use in a variety of industries.

Whether you are looking for a crusher pulverizing mill for use in a mine, quarry, or other industrial setting, the Hammer Grinder Pulverizer is a reliable and efficient choice. With its high-quality output capacity, it can help you to increase your productivity and streamline your operations.

Features:

Product Name: Hammer Mill Crusher

Contact Information: Available

Final Products: Gravel, limestone, coal

Adjustability: Can adjust the grate strip gap according to user requirements and change the material particle size

Applicable Industry: Energy&Mining

Machines Classification: Stone Crashing Machine

Keywords: Hammer Crushing Pulverizing Mill, Grinding Crusher Pulverizing Mill, Grinding Crusher Pulverizing Mill

Technical Parameters:

Product Attribute	Product Specification
Product Use	Suitable for crushing medium-hard materials
Output Size	0-1mm
Spare Parts Availability	Available
Product Category	Hammer Mill Crusher
Grinding Conditions	Can grind under dry and wet conditions

Working Principle	The motor drives the rotor to rotate at a high speed through the belt, and on the rotor there are series of hammers. When the material get into the working area of hammers, the rotating hammers with high rotation speed are crushing the material, the crushed product meeting the required size can be discharged by the outlet and become the final products, the large size product are brought back to the crushing area by the hammers for being re-crushed until they reached the required size.
Advantages	Simple structure, high grinding rate, high production efficiency
Adjustability	Can adjust the grate strip gap according to user requirements and change the material particle size
Material	Limestone, coke, coal, etc.
Output Capacity	3-8tph

Keywords: Pulverizing Hammer Mill, Grinding Crusher Pulverizing Mill, Grinder Crusher Pulverizer

Applications:

The Ascend Hammer Mill Crusher is a powerful and efficient pulverizer that can grind various materials into fine powder. With models including PC400x300, PC600x400, PC800x600, and PC1000x800, this Grinding Hammer Mill Crusher is perfect for crushing medium-hard materials in the Energy&Mining industry.

Our Hammer Grinder Pulverizer is certified by ISO9001 and CE, ensuring its quality and reliability. It is made in Zhengzhou, China, with a minimum order quantity of 1 set and a negotiable price. Payment terms include L/C, T/T, Western Union, and MoneyGram, and we can supply up to 100 sets per month with a delivery time of 7-10 working days.

The Grinding Hammer Mill Crusher comes with standard parts packed in wooden cases and big parts packed by plastic membrane. The whole machine is loaded in the container for easy transportation. Spare parts are also available, and the warranty period is 1 year.

As a Stone Crashing Machine, the Hammer Mill Crusher is suitable for various occasions and scenarios. It can be used for crushing materials in the mining industry, including coal, limestone, gypsum, and more. It is also ideal for use in the energy industry, such as crushing biomass, straw, and wood chips for fuel.

Overall, the Ascend Hammer Mill Crusher is a versatile and reliable machine that can meet your grinding needs. Contact us today to learn more about this Grinding Hammer Mill Crusher and how it can benefit your business.

Support and Services:

The Hammer Mill Crusher product is backed by a comprehensive technical support and services team to ensure smooth installation and maintenance. Our team of experts is available to provide training and assistance to customers in optimizing product performance and maximizing efficiency.

Our technical support team is equipped to handle any product-related queries and troubleshoot issues that may arise. We also offer a range of services including equipment repair and refurbishment, spare parts supply, and on-site maintenance and repairs.

At Hammer Mill Crusher, we are committed to providing our customers with the highest level of support and services to ensure their satisfaction and success with our product.

Packing and Shipping:

Product Packaging:

The Hammer Mill Crusher will be packed in a sturdy wooden box.

All necessary packing materials will be used to ensure the product arrives in perfect condition.

The box will be labeled with the product name, quantity, and other important information.

Shipping:

The Hammer Mill Crusher will be shipped via a reliable courier service.

The shipping cost will be included in the product price.

The estimated delivery time will be provided to the customer once the order is confirmed.

The customer will be provided with a tracking number to track the shipment.

FAQ:

Q1: What is the brand name of this Hammer Mill Crusher?

A1: The brand name of this Hammer Mill Crusher is Ascend.

Q2: What are the model numbers of this Hammer Mill Crusher?

A2: The model numbers of this Hammer Mill Crusher are PC400x300, PC600x400, PC800x600, and PC1000x800.

Q3: What certifications does this Hammer Mill Crusher have?

A3: This Hammer Mill Crusher has ISO9001 and CE certifications.

Q4: Where is this Hammer Mill Crusher produced?

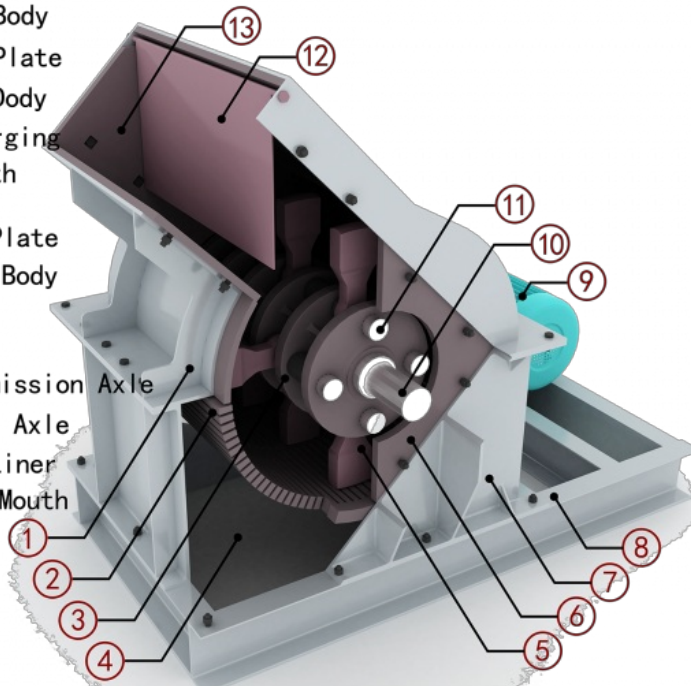
A4: This Hammer Mill Crusher is produced in Zhengzhou, China.

Q5: What are the payment terms for purchasing this Hammer Mill Crusher?

A5: The payment terms for purchasing this Hammer Mill Crusher are L/C, T/T, Western Union, and MoneyGram. The price is negotiable and the minimum order quantity is 1 set. The supply ability is 100 sets per month and the delivery time is 7-10 working days. The packaging details are as follows: 1. Standard parts packed in the wooden cases. 2. Big parts packed by plastic membrane. 3. The whole machine is loaded in the container.



1. 上机体 Upper Body
2. 篦条板 Grate Plate
3. 锤盘 Middle Dody
4. 出料口 Discharging Mouth
5. 锤头 Hammer
6. 侧衬板 Side Plate
7. 下机体 Lower Body
8. 支座 Stand
9. 电机 Motor
10. 传动轴 Transmission Axle
11. 锤头轴 Hammer Axle
12. 入料口挡板 Liner at Feeding Mouth
13. 衬板 Liner



Model	Input size(mm)	Output size(mm)	Capacity(t/h)	Power(kw)	Weight(kg)
PC400×300	≤100	≤10	5-10	11	800
PC600×400	≤120	≤15	10-25	18.5	1500
PC800×600	≤120	≤15	20-35	55	3100
PC1000×800	≤200	≤13	20-40	115	7900
PC1000×1000	≤200	≤15	30-80	132	8650
PCX1300×1200	≤250	≤19	80-200	240	13600



Contact: Wilson

Mobile(WhatsApp/Wechat): +86-18221130967

Email: wilson_ascendme@163.com



Wechat



WhatsApp



ASCEND Henan Ascend Machinery Equipment Co., Ltd.

+86 18221130967

wilson_ascendme@163.com

mining-crushermachine.com

Shenglong block, high tech zone, Zhengzhou, China